

OPIZ

User Manual

Wireless Video Door Phone

OPIZ



OP-D02

www.opizcn.com
OPIZ ELECTRONICS CO.,LTD.

OPIZ tip

- Thank you for your kindly purchasing our product.
- Please carefully read this user manual before using the product and follow instructions exactly on how to install and use the product.

ATTENTION

1. This user manual is guidance for using and installing Wireless Video Door Phone.
2. Our company reserves the right to change or alert product and system without prior notice.
3. If there's any distinction between description and real product, please subject to the real product.
4. Please follow the right process to turn off. Do not remove battery when power-on or it is being charged, avoid any digital information loss. And install the Micro SD card in right way, avoid broken.
5. Please visit www.opizcn.com for details.
6. This product with patent , OPIZ take OP-D02 all copyright and registered trademarks.

SAFEGUARDS AND USAGE INTRODUCTION

Please carefully read this User Manual (in particular, precautions for safety before using the product and follow the instructions to use your product exactly.

On using door phone, power adapter and other accessories

Please turn off the device where wireless video door phone using is forbidden (including airport, gas station, hospital etc.)

- Keep indoor monitor and all accessories out of children reach.
- Keep indoor monitor away from liquid, do not place the product where is air-wet.
- Keep indoor monitor away from fire, litten cigarette.
- Do not paint or lacquer the products.
- Do not drop, throw or bend the product.
- Do not place the product together with any magnetic things, such as magnetic disc, credit card, and travel card. It may affect the information stored in those cards.
- Do not put the product where temperature is above 70℃ .
- Do not attempt to repair this product by yourself as opening or removing covers.
- To avoid potential danger, please use the specified battery and power adapter.
- Use wet or anti-static cloth instead of dry and static cloth to clean the product. Don't clean the product with chemical agent or stonewashed agent for these will damage the outside part of the product.
- Never crush or squeeze LCD and camera, for they are fragile. Keep the product away from sharp things.
- If there is any problem, please contact our tech support and customer service.

Inflammable and explosive area

- When entering an inflammable and explosive area (gas stations), please turn off the device, and follow the warning signs or instructions.

Medical equipment

- The device may interfere with medical equipment like Cardiac Pacemaker, hearing aid, etc. When answering, please keep the device at least 15cm away from Cardiac Pacemaker. If you are afraid of interference, please turn off the device immediately, and contact the manufacturer of the pacemaker for guidance. As to other medical equipment, please consult the manufacturers.

For children's safety

- Keep the product and all accessories out of reach of children. Small parts may cause chokin or serious injury if swallowed.

Disposal battery

- Disposal battery cannot be disposed as ordinary waste. Please refer to local rules about the dispose of electronic products.

Usage of original accessories

Power adapter: Connect the AC power with specified power adapter. Make sure the right place of wire. Assure it won't be damaged. Please unplug it when cleaning the device. Power adapter cannot be used outside or in wet condition. Do not change its wire or plug.

Battery: First time or unused battery long time is recommended to be charged at least 12 hours, but within 24 hours. Charge the battery under moderate temperature (between -5 ℃ to 45 ℃) . Disconnect power adapter after charging.

Unused battery can reach its best efficacy after discharging and being charged for many times. Only specifically designed power adapter is allowed. Avoid short circuit. Never dispose battery in fire, which may cause explosion.

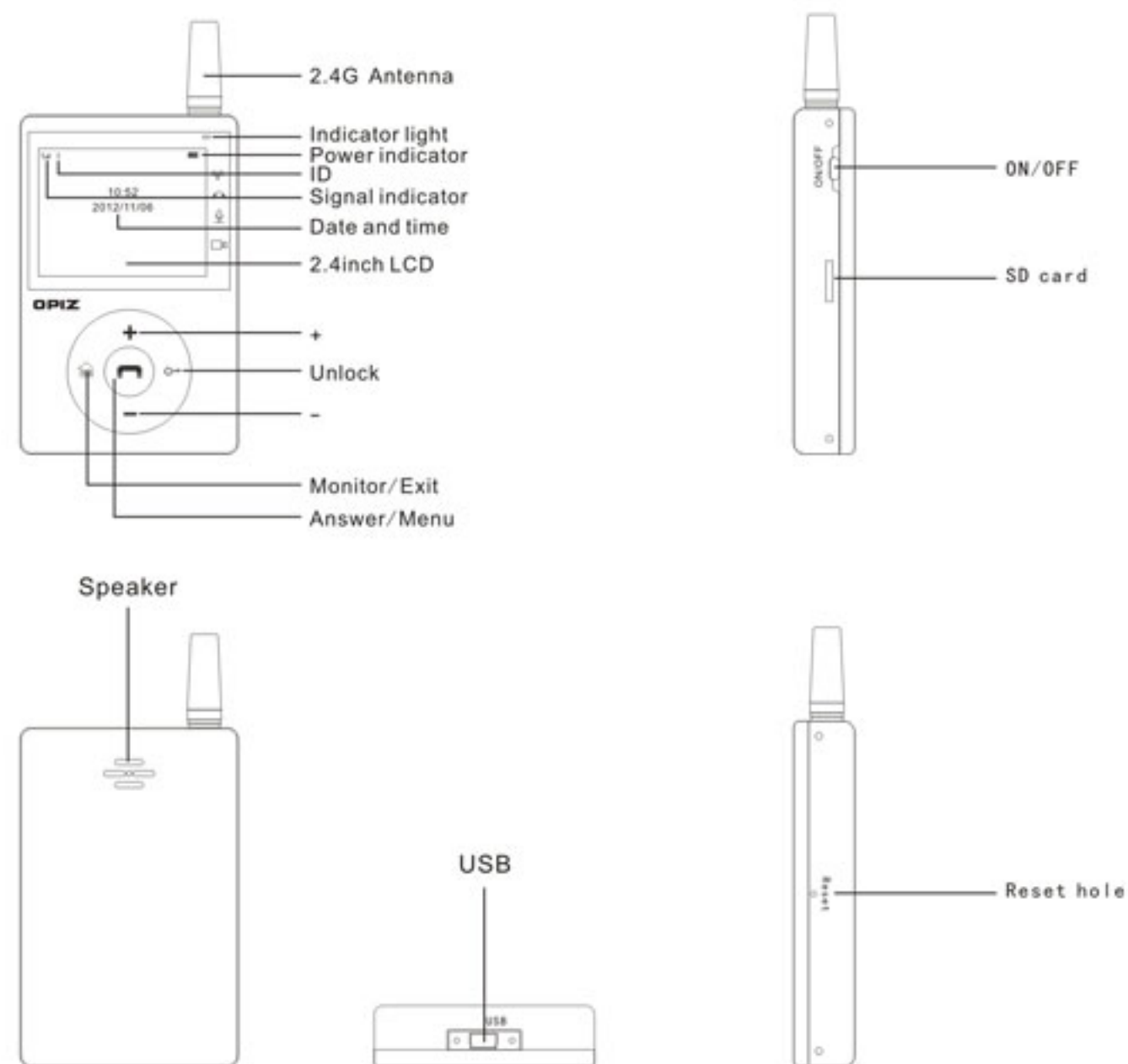
According to national standard GB2188-2007, the limiting value for Specific Absorption Rate (SAR) is 2.0W/kg for 10g random biotic tissues in random 6 min. The SAR value of this product is lower than 2.0 W/kg. SAR value will change for many factors, so it is lower than the maximum value. Our tested SAR value is below 0.754W/kg.

CONTENTS

Before using	04
Indoor Monitor.....	04-05
Outdoor Camera	06
Basic operations	06-07
Menu functions descriptions.....	07-09
Installation descriptions.....	10
Failure diagnosis.....	11
Appendices.....	11-12

BEFORE USING

1. Indoor Monitor



Button instruction:

- ☑ : In standby, press it enter to menu. In menu, it is a confirm button. When have call, press to answer. At talking status, press to hang up. At monitor status, press to switch two way communication.
- + : In menu, it use for choose the last menu. At talking and monitoring status, press to take video.
- : In menu, it use for choose the next menu. At talking and monitor status, press to take image.
- 🏠 : In standby, press to monitor outside. In menu, it is a exit button.
As talking with camera, press to switch one way intercom. At monitor status, press again will hang up.
- 🔓 : Unlock for the visitors in talking or monitor status. In setting menu, it is right moving button.

LCD Display

①. RF transmission condition

- Full Excellent
- Full Good
- Weak

Full If there is no signal, the screen will showing "user not online".

②. Indoor monitor ID number display

1. When open indoor monitor, hear "Di" and the screen shows "1", this is NO.1 indoor monitor.
2. When open indoor monitor, hear "Di, Di" and the screen shows "2", this is NO.2 indoor monitor.
3. When open indoor monitor, hear "Di, Di, Di" and the screen shows "3", this is NO.3 indoor monitor.

③. Battery power condition indicator

- Excellent
- Good
- Low: Please charge the battery.

④ Date and Time indicators.

Light indicator:

In standby with good power, the red light will flash one time per four seconds.

In standby with low power, the red light will flash once per second.

If there is a call record, the green light will flash once per second.

In talking or monitor status, the green light will be on.

USB function:

- a. When indoor monitor with SD card, put in USB line under standby, it will pop up the dialog box: "USB", "POWER".
- b. Using "+/-" button to select "POWER", at this time USB only for charge power, indoor monitor works normally.
- c. When select "USB", indoor monitor can connect with computer. However, it can't read SD card on indoor monitor, and indoor monitor can't work normally.

Reset hole:

If indoor monitor halts, use the needle poke gently will open again. The system keep the same, not back to original.

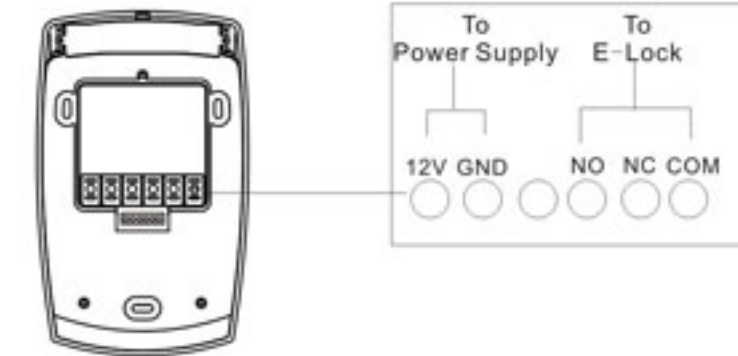
2. Outdoor Camera

Front view



- ① MIC
- ② Infrared light
- ③ Camera
- ④ Speaker
- ⑤ Call button
- ⑥ Screws

Rear view



BASIC OPERATIONS

1. Power on /off functions

- a. Turn on indoor monitor: Press ON/OFF button until the screen show "OPIZ" with a "Di" sound, releases the button.
- b. Turn off indoor monitor: Press ON/OFF button until the screen show "Goodbye" with a "Di" sound, release the button.
- c. Outdoor camera will auto turn on as with power, the No 1 outdoor cameras will show one "Di" sound, No 2 will have two "Di" sound as open.

2. Outdoor camera call indoor monitor

Step One: Call

Press "CALL" button at outdoor camera to call indoor monitor. Indoor monitor will ring with image.

Step two: Answer the call

- a. Press "CALL" button to answers. The max talking time is 90 seconds. If would like one way voice, press "CALL" button to switch, press "CALL" button to two way communication.
- b. No one answer in 5 seconds; it will take video record automatically until limited time is up when set "auto-video".
- c. If indoor monitor doesn't answer in 30 seconds, it will exit calling indoor monitor automatically.

Note: If with more than one indoor monitors, other indoor monitors will enter standby.
Step three: Open the door

Press " ⏪ " button to unlock. If successfully open, screen will show a lock open.

Step four: Hang up

Under the two way communication, press " ⏪ " button to hang up, in one way talking, press " ⏪ " button to hang up.

3. Monitor outside

Step one:

If only one outdoor camera: indoor monitor press " ⏪ " button will enter monitor status.

If two outdoor cameras:

a. Indoor monitor , press " ⏪ " button, the screen will show two camera ID.

b. Press "+/-" buttons to choose the outdoor camera you would like to view, press " ⏪ " button to confirm. press " ⏪ " button will hang up. Longest time is 90 seconds and then back to standby automatically.

Note: At this time, it default indoor monitor with sound, and outdoor camera without. If doesn't receive the signal in 5 seconds, it will return automatically.

Step two:

Under talking status, if there is a SD card,press "+" button can take video, and then press again to stop video. The video also store in the SD card.

Press "-" button to take pictures.

4 .Indoor monitor call indoor monitor:

Step one: Call

a. In standby, press "+" button, will show all indoor monitor ID.

b. Press "+/-" button to choose the indoor monitor which you would like to call. press " ⏪ " button to confirm.

Step two: Answer the call

a. At this time, all indoor monitors will ring, any one can press " ⏪ " button to answer. Other indoor monitors will enter standby automatically. The max talking time is 90 seconds.

b. If no signal received in 4 seconds, after a sound "Di" returns standby automatically.

c. If no one answer, it will be back to standby after 30 seconds.

Attention: If someone calls from outdoor camera as indoor monitor at talking status. The communication will be break off. And then received the ring from outdoor camera.

5.Open the outdoor camera IR

At the talking or monitor status, press "ON/OFF" button to open the IR LED, press again will close.

6.Close Alarm

When have alarm at camera and indoor monitor.

a. Fix the screw at the bottom of outdoor camera well.

b: Press " ⏪ " button to close alarm at indoor monitor.

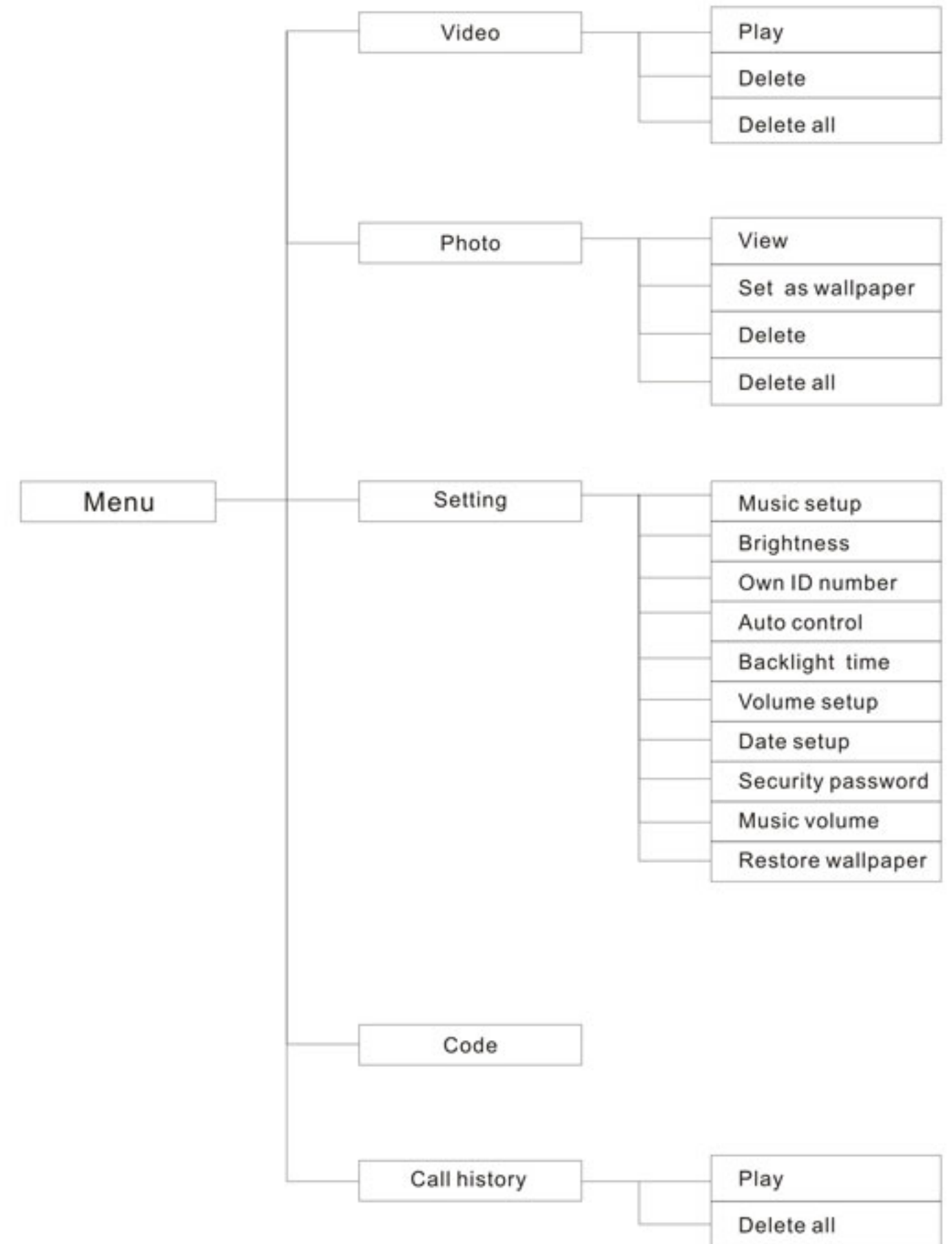
MENU

1. Menu instruction

a. Press " ⏪ " button while standby to enter menu. The main menu include "Video", "Photo", "Setting", "Code", "Call History", "Exit" six branch menu.

b. Press "+/-"button to select corresponding branch menu, press " ⏪ " button to enter the relevant branch menu.

c. Use " ⏪ " button to return.



2.Menu summary

1.Video

- Use "+/-" button for choosing video, press " " button to enter video menu.
- If without SD card, will show "No SD Card!" and back. If with SD card but no video record, will show "No File!" and return. If there are video records turn to next step.

2.Photo

- Use "+/-" buttons for choosing Photo, press " " button to enter photo menu.
- If without SD card, will show "No SD Card!" and back. If with SD card but no photo record, will show "No File!" and return. If with SD card and has photo record, turn to next step.

3.Settings

Into the setting menu:

Use "+/-" buttons for choosing 'Settings', press " " button to enter setting menu;

(1) Music set up:

- Use "+/-" buttons for choosing music (totally 12songs),press " " button to listen;
- Repress button to confirm the selected music is the current music (Ringtones).

12 music as follows:

- <<Love Romance>>, <<Beauty and the Beast>>,<<Memory>>,<<Titanic>>,
- <<Love Music Box>>, <<Close to You>>, <<Green Sleeves>>, <<Whisper in autumn>>,
- <<To Alice>>, <<Rhythm of the Rain>>, <<Blue Love>>, <<Romeo and Juliet>>.

(2) Brightness:

Use "+/-" buttons for choosing the level of the brightness(totally 5 levels), press " " button confirm the level.

(3) Own ID number

Use "+/-" buttons for changing " Own ID Number", press " " button to confirm.

(4) Auto-control

Use "+/-" buttons to set up "Manual Video" or "Auto Video", then press " " button to confirm.

Note: The default is auto video (with SD card) and manual take picture.

(5) Backlight time

Use "+/-" buttons to change the standby time (10S~60S), press " " button to confirm.

(6) Volume set up

Use "+/-" buttons to change volume level (totally 8 levels), press " " button to confirm.

(7) Date set up

Press "+/-" buttons increase or decrease the digit, use " " button for right moving to date or time, press " " button to confirm.

(8) Security pussword

The password is for manufacturer, please do not change. If any problem, need you return to factory.

(9)Music volume

Use "+/-" buttons to change music volume.

(10)Restore wallpaper

Press " " buttons to set up original wallpaper.

4.Code

The code has been set already, please don't change.

5.Call history

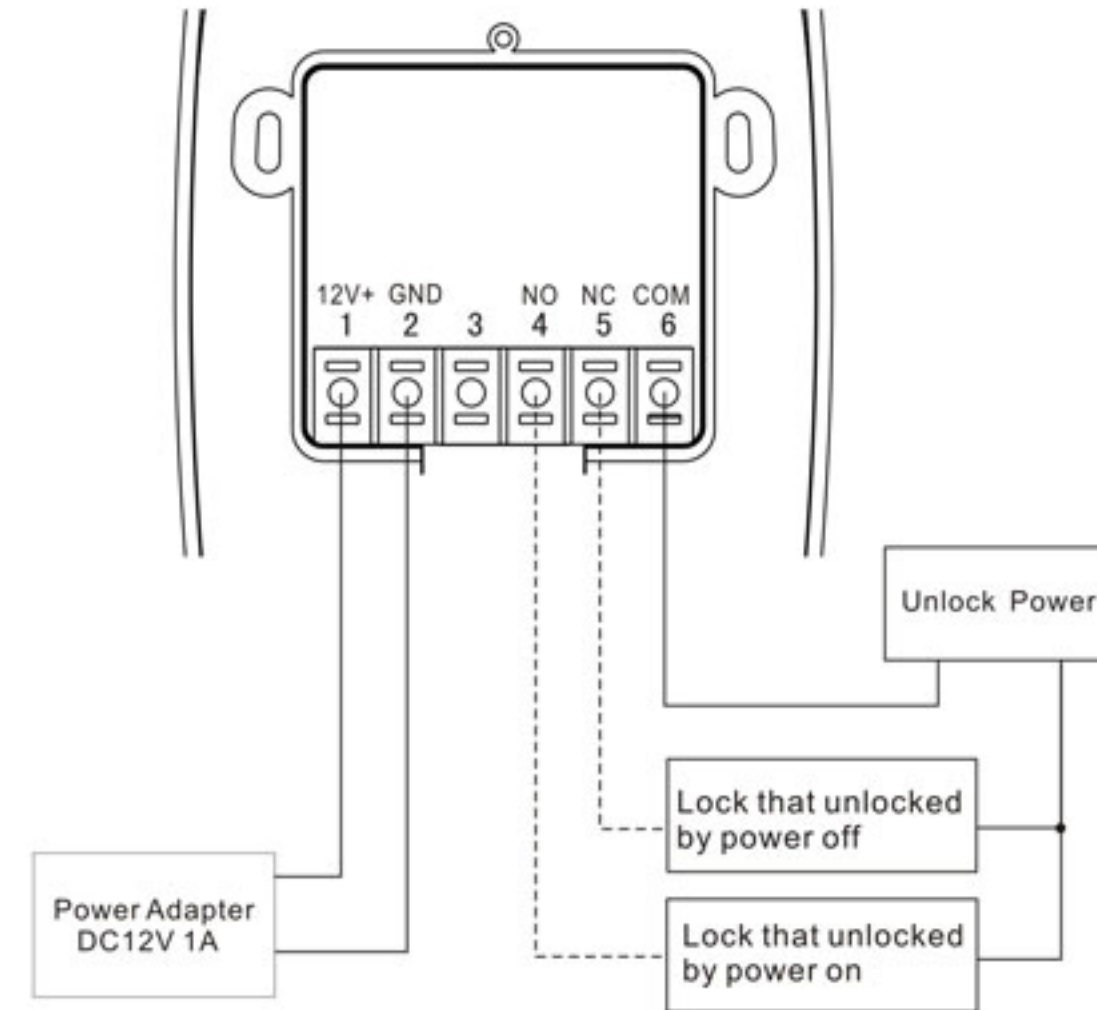
- Use "+/-" buttons for choosing "call history", press " " button to enter "call history" menu.
- When choose 'PLAY', if no SD card will show 'NO VIDEO FILE!' then turn back. During

playing, press " " button to pause or continue playing. Press " " button to return the video operation menu. As the video finished will automatically return.

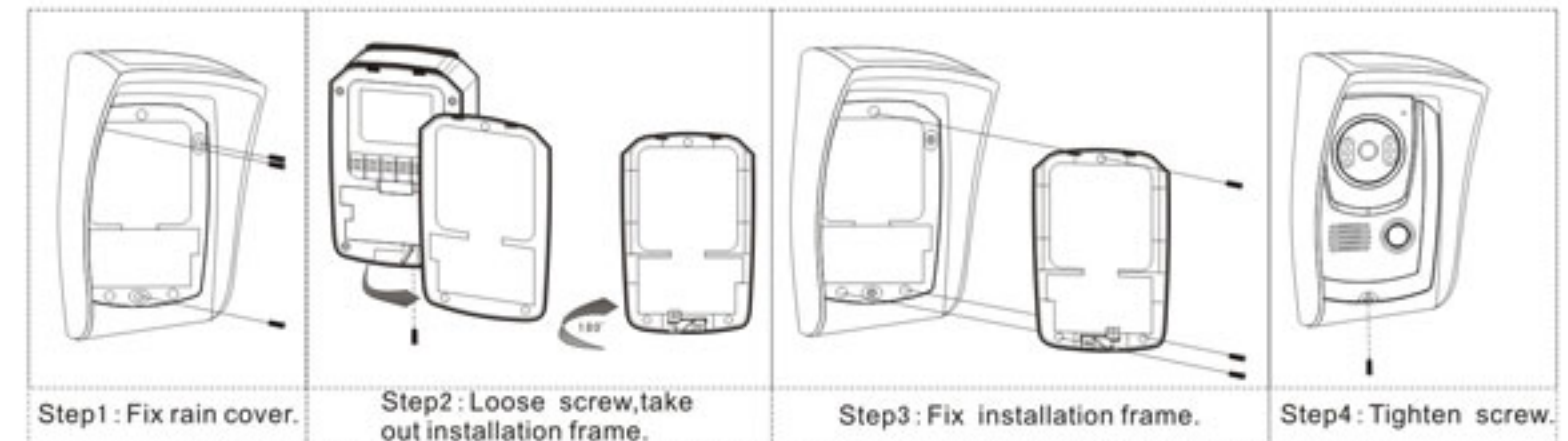
Note: Turn off the power, all the call records will disappear, but the video file of the SD card will be remained (Video menu to view it)

INSTALLATION DESCRIPTIONS

1. Outdoor camera connects with E-lock and power introduction.



2. Installation of outdoor camera



FAILURE DIAGNOSIS

1. Fail to call. Whether indoor monitor is on
Whether outdoor camera is very far away from the indoor monitor
Whether there is wrong match between outdoor camera and indoor monitor
2. Bad connection. Whether noise index is higher than 50dB
Whether outdoor camera is very far away from the indoor monitor
3. Low volume in speaking state. Whether protective material is uncovered
Whether the volume is adjusted to be too low

APPENDICES

1. Technical data

a. Outdoor camera

Working rate	2402~2483.5MHz
Transmitting power	16-20dBm
Camera	1/4CMOS
Power adapter	12V 1A
Operating current	300mA, Standby current 20~30mA
Appearance size	175*105*60mm
N.W.	315g

b. Indoor monitor

Screen	2.4 inch TFT-LCD
Sensitivity	-90dBm
Standby Current	20-30mA/3.7V
Working Current	250mA
Battery Capacity	2000mah
Standby Time	200h
Dimension	100*65*16mm
NW	150g

c. Accessories

Battery	Item	Rechargeable Lithium battery
	Battery Capacity	2000mah
	Nominal voltage	3.7V
Power adapter for outdoor camera	Input	AC100V-240V
	Output	DC 12V
Power adapter for indoor monitor	Input	AC100V-240V
	Output	DC 5V

Packing list

Number	Items	Quantity	Number	Items	Quantity
1	Outdoor camera		6	USB line for Indoor monitor	
2	Indoor monitor		7	Memory card	
3	Power adapter for outdoor camera		8	User manual	
4	Power adapter for indoor monitor		9	Guarantee card	
5	Lithium battery		10	Inspect certificate	

The packing list is subject to final sale. Please consult distributor for detailed information.

Announcement for hazardous elements

Items	Hazardous elements					
	Plumbum (Pb)	Mercury (Hg)	Cadmium (Cd)	Chromium (Cr(VI))	Polybrominated Biphenyl (Pbb)	Polybrominated diphenyl ether (PBDE)
○ PCB and Accessories	○	○	○	○	○	○
× Plastic	○	○	○	○	○	○
Metal	×	○	○	○	○	○
Battery	×	○	○	○	○	○
Others	×	○	○	○	○	○

:Hazardous element value is below SJ/11363-2006 standard
:Hazardous element value is beyond SJ/11363-2006 standard