



WT-1674
Power Supply
Remote Control Switch

USER MANUAL

INTRODUCTION

The Power Supply Remote Control Switch model has been specifically designed for the rental of washing machines or any rental of electrical appliances industry to allow the owner to have remote control over the appliances regardless of the location of the equipment. In many examples, the rental of the electrical appliances does not allow the owner to ensure that they are being honestly for the rental and is continued to be used even they did not pay for the rental

The unit also designs for the rental of machines or construction equipment. In many examples, the remote location of the equipment does not allow the owner to ensure that they are being honestly informed when the equipment is actually off hire and is continued to be used after it has been claimed to be off hire

The unit will look same as power supply with label as 9V inline power supply. This is to prevent the user disconnect the GSM unit. The unit with 1 independent 30A relay switches, these can be programmed to switch off or on whenever the GSM Power Supply Remote Control Switch is called when end customer dishonest the rental

The Power Supply Remote Control Switch will recognise an authorised telephone numbers calling it and action the call without answering. Therefore, there is no call charges incurred when calling it. One Call to the SIM Card Number will switch the device OFF permanently. Another Call to the SIM Card will switch the device ON permanently.

The system also supply with timer function and auto trigger relay to switch off. When the off hiring periods over, the unit will automatically switch off the electrical appliances according to the schedule set inside the unit. For example if the off hiring periods is 6 months, the owner can set the time to switch off the equipment 6 months later and SMS text to the owner.

This function is important to use in the renting and leasing industry of electrical appliances, washing machines, coffee maker, heavy vehicle, and rental of site equipment to turn off the machines when off hire time completed

The system also has another important function to reminder the owner to monitor the SIM Card expiry date. User can set timer to remind the owner the SIM card expiry date. The unit also can be instructed to trigger the relay in the specified times to keep the SIM Card alive and sent the SMS to the user to keep the SIM card active when expiry dates.

The system using CE and FCC approved industry internal power supply connected on board. A backup lithium battery can power up at least 8 hours and will sent a power down or power restored alerts in the event of any circuits power failure

The user also can download the FREE apps from Android and IOS stores as their easy monitoring and control tools. Just one touch on the apps, user smart phone will sent the SMS text commands to the unit. The users don't need to remember the commands code. .

SETTING UP AND PROGRAMMING

Step 1 – Easy Programming. Open Mode – Anybody can call to the unit to Switch OFF and Switch ON

1. Open the Cover, Insert the SIM card
2. Plug the wire into the AC sources
3. Plug the electrical appliances socket into the unit
4. Call to Switch OFF, Call to Switch ON

The GSM Power Supply Switch is factory pre-wired. Open the cover, insert SIM Card into the unit, plug the unit into a main AC power socket and then plug electrical appliances socket into the socket at the another end of the unit. Now you are ready to control the electrical appliances by just a free telephone call to switch the device OFF and another to switch the device ON.

When first booting up the system you will see Green LED Lights inside the Enclosure and it should light up when the Network is applied to the unit.

The Green LED is the network Indicator and this will light up when attempting to log on to the network flash inconsistently until it locates the network.

The Status of the Relay will remain as ON, until the unit receives a second Call to the Unit of which will now Latch the Relay Permanently OFF.

Both Calls used to Latch the Relay either on or off are automatically disconnected, once the relays are activated and never incur any Network Call Costs.

Beside calls to switch off or on, the unit also can be permanently switch off and on by sending the unit a text message command

Now, you can download the apps either in Google Play or IOS apps stores for easy controlling and status monitoring.

Step 2 - If you feel that open mode is not secure, program your phone number into the unit

Applied the “KISS Principle”, keep it simple, stupid.

If you feel that Open Mode is not secure. You can program up to 5 phone numbers into the unit. Only the person in the white list can switch OFF/ ON

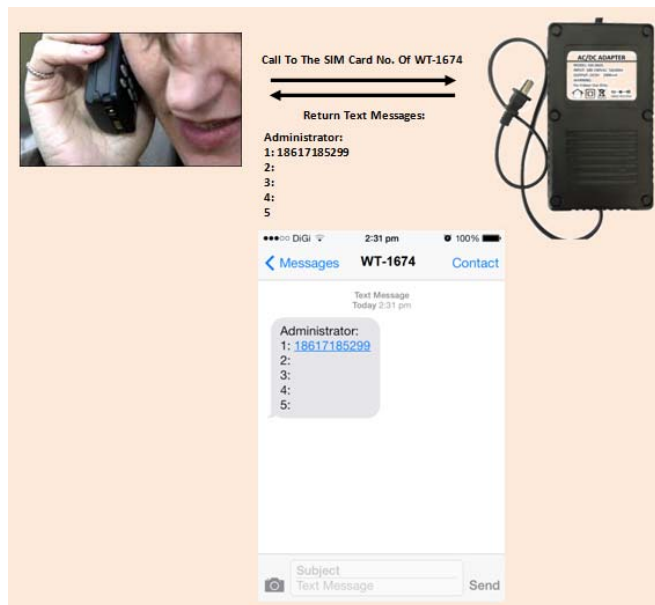
1. Open the Cover, Insert the SIM Card
2. Use your phone number call to the unit. It will automatically register your number into the white list
3. Use your phone number call to switch off / switch on

The GSM Remote Control Switch is easy to setup and use. Insert the SIM card, simply use your mobile phone call to the unit, your mobile phone number will automatically register as the 1st Administrators

You will receive the following SMS message from the unit –

Administrator:

- 1: 18617185299 (your phone number)
- 2:
- 3:
- 4:
- 5:



You already finish the set up. Now, you can use your mobile phone call to the SIM Card number switch the device on permanently. Another call to the SIM Card will switch the device off permanently.

If you do not required to go through details setting, please process to STEP3 – Final Installation and Wiring.

Factory Reset in the Secure Mode

When you active the safety features and if you required to change the administrator number in the future, simply press the button “FACTORY” at the mother board until you hear the “di~” . This means the unit back to the factory default



Press until you hear the "di" sound

This means you already reset the unit to factory default. Now you can start to call again to set the administrator.

This method is only allowed to set 1 administrator number. If you wish to set more administrators, please go to Step 3 – Installation and set up

Step 2 - Advance Set Up

NO.	Description	Programming Code	SMS Texts Respond	Function
1	<p>First Step of programming, you must enter the factory passwords of 1234 and go inside the programming mode.</p> <p>You only can perform the next commands after enter into programming mode</p>	*0*1234#	<p>You get administrator privileges!</p> <p>2013-10-09 00:33 Wed</p>	When you enter *0*1234#, you enter into the programming mode. You must perform the next command in 10 minutes. If you did not do anything, the system will exit from programming mode.
2	Change Password	<p>*0*1234*new password#</p> <p>For example if you need to change to the new PW of 1212.</p> <p>*0*1234*1212#</p>	<p>New password<1212></p> <p>2013-10-10 16:07 Thu</p>	<p>Maximum 4 digits of passwords</p> <p>If you decide to protect your privacy, you can change the factory password to your new password.</p> <p>Enter the factory password follow by your new password.</p>
3	Add telephone number into the admin list.	<p>*1*1*telephone number#</p> <p>For example set Admin number 18617185300 into admin 2</p> <p>*1*2*18617185300#</p>	<p>Administrator:</p> <p>1: 15989427391</p> <p>2: 18617185300</p> <p>3:</p> <p>4:</p> <p>5:</p> <p>2013-10-10 16:08 Thu</p>	<p>Set Admin Numbers ;</p> <p>*1*1* - set 1st admin number</p> <p>*1*2* - set 2nd admin number</p> <p>*1*3* - set 3rd admin number</p> <p>*1*4* - set 4th admin number</p> <p>*1*5* - set 5th admin number</p> <p>Only the number in the list can receive alarm texts message and active the relay output. You can add up to 5 telephone number into the admin list.</p>
4	Check phone number you program in the list	*2*	<p>Administrator:</p> <p>1: 15989427391</p> <p>2: 18617185300</p> <p>3:</p> <p>4:</p> <p>5:</p> <p>2013019019 16:09 Thu</p>	

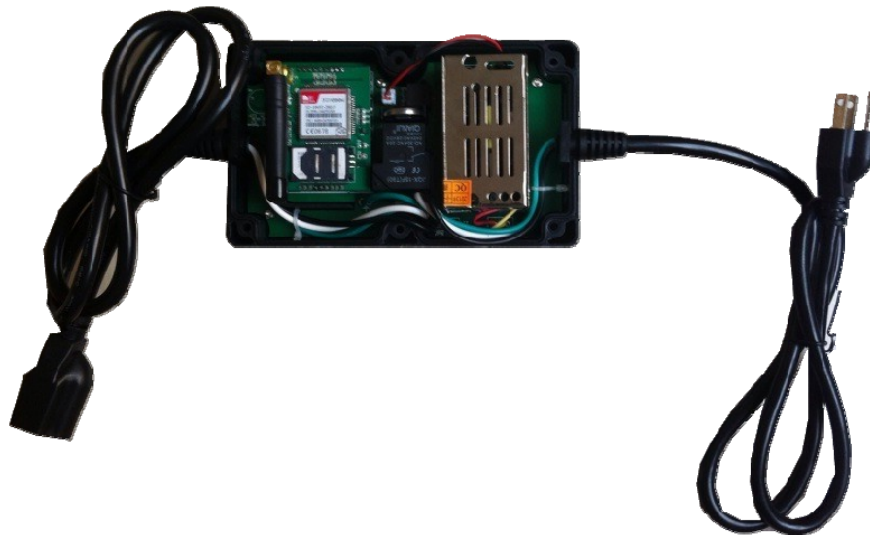
5	Delete the admin number in the list.	*3*N# N = Admin number 1- 5 For example, if you want to delete admin no 2. just enter *3*2#	Administrator: 1: 15989427391 2: 3: 4: 5: 2013019019 17:16 Thu	Delete Admin Number Delete 1st admin *3*1# Delete 2nd admin *3*2# Delete 3rd admin *3*3# Delete 4th admin *3*4# Delete 5th admin *3*5#
6	Check the relay status in ON or OFF Mode.	*4*	Master relay <ON> 2013-10-10 16:10 Thu	The unit will return Master relay <ON> if the relay is on. The unit will return Master relay <OFF> if the relay is off.
7	Check Signal Strength	*5*	CSQ<28> 2013-10-10 16:11 Thu	You must confirm the signal strength at site before you install the unit. If the signal too weak, the unit will not function properly. CSQ 5 – 12 Signal too weak, system not function CSQ 13 - 24 Signal Good. System function well CSQ 25 – 32 Signal Excellent. System working well
8	Setting the year, month, day, hours, minutes, week	*12*YYYYMMDDHHMMX#	Time change OK! 2013-10-10 16:05 Thu	YYYY=4 digit for Year MM = 2 digit for Month DD = 2 digit for Date HH = 2 digit for Hour MM = 2 digit for Minutes X = 1-7 (Day of the Week) Example set as *12*2013101016054# which means 2013-10-10 16:05 Thu If reprogram the date, it will take the last as the accurate date. The date have to be correct (if setting 2014-2-29 or 2013-11-31) this is the incorrect date which is not occur, the system will verify the date, time, day if correct, the date have to be after year 2013

9	Schedule the ON/OFF for the Master Relay	*13*N*YYYYMMDDHHMM#	<p>Master relay off time: 2013-10-10 16:33</p> <p>2013-10-10 16:31 Thu</p> <p>When the programmed time is reach, the relay is either on or off, all the admin will get the reply SMS as per below.</p> <p>Since time is up! Master relay<OFF> 2013-10-10 16:33 Thu</p>	<p>N=0 (Switch Off the Master Relay) N=1 (Switch On the Master Relay)</p> <p>YYYY=4 digit for Year MM = 2 digit for Month DD = 2 digit for Date HH = 2 digit for Hour MM = 2 digit for Minutes</p> <p>Example set as *13*0*201310101633# which means 2013-10-10 16:33 to switch off the master relay</p> <p>If reprogram the date, it will take the last as the correct date. If you program the date that already past, the system will alert you</p>
10	Checking the schedule time for Master Relay ON/OFF	*14*	<p>Master relay on time: Master relay off time: 2013-10-10 16:33</p> <p>2013-10-10 16:35 Thu</p>	<p>Checking the schedule time for Master Relay ON/OFF, when the time reach, the system will operate and it will delete the schedule time automatically.</p>
11	Delete the schedule time for the Master Relay ON/OFF	*15*N#	<p>Master relay on time: Master relay off time: 2013-10-14 11:08 Mon</p>	<p>N=0 (Delete schedule of Relay OFF Time) N=1 (Delete schedule of Relay ON Time)</p>
12	SMS Reply Message when the system ON/OFF	*21*N#	<p>Message switch <ON> 2013-10-10 17:06 Thu</p>	<p>N=0 means SMS Reply Message when the system OFF N=1 means SMS Reply Message when the system ON Factory Default as SMS Reply Message when the system ON</p> <p>If setting to not receive SMS Reply Message when the system OFF, the unit will return a message indicate successful setting for the command and it will no longer sending SMS reply until the setting of SMS Reply Message when the system ON is done. When the system having the temperature alert, wireless alarm alert, it will automatically sending the alert message to the Admin</p>

13	To receive SMS Reply Message or not to receive SMS Replay Message when the system trigger by phone call	*22*N#	<p>After sending command *22*0# Status switch <OFF></p> <p>2013-10-10 17:10 Thu:</p> <p>After sending command *22*1# Master relay <OFF></p> <p>2013-10-10 17:08 Thu:</p>	<p>N=1 means after make the phone call to the system, it will return the SMS for the status to the caller</p> <p>N=0 means after make the phone call to the system, it will not return the SMS for the Status to the caller</p> <p>Factory Default as return SMS for the status after make the phone call</p> <p>** If you decide not to allow the system to text you for any acknowledgement after you call to the unit. You can switch OFF the text message. Some Customer request this function because texts reply involved call cost</p>
14	Security mode/ Open Mode	*23*N#	<p>When Setting as Security Mode *23*1# Mode switch <ON></p> <p>2013-10-10 17:13 Thu</p> <p>When Setting as Open Mode *23*0# Mode switch <OFF></p> <p>2013-10-10 17:13 Thu</p>	<p>N=1 means in security mode. Only allow the number in the list can text to the unit to control the system.</p> <p>N=0 means in open mode. Anybody can call to the unit to control the system. Please take note that the Privacy and Security before you decide to use the Open Mode</p> <p>Factory Default is N=1 for Security Mode</p>
15	SMS Text Message to Switch On/Off Relay	*24*N#	<p>When Setting as *24*1# Master relay <ON></p> <p>2013-10-10 17:13 Thu</p> <p>When Setting as *24*0# Master relay <OFF></p> <p>2013-10-10 17:13 Thu</p>	<p>N=1 means switch on the relay by SMS Message</p> <p>N=0 means switch off the relay by SMS Message</p>

16	Setting Time for the unit to SMS reminder to the Administrator for the SIM Card balance	*9*XX#	When sending the command of *9*01# Warn frequency: 1 month 2013-10-10 17:18 Thu	XX=00, Switch off the Time Reminder for SIM Card Balance XX=01 to 12, which means after setting this command, the unit will start from the 1 st of the following month, to sent a SMS reminder for the SIM Card balance for every 1 month. Please note that the phone SIM card balance! 2013-10-10 00:00 Sun
----	---	--------	---	--

Step 3 - Installation



Insert the SIM card, to access the SIM card carrier gently push the button adjacent to it, insert the SIM card and carefully close the carrier

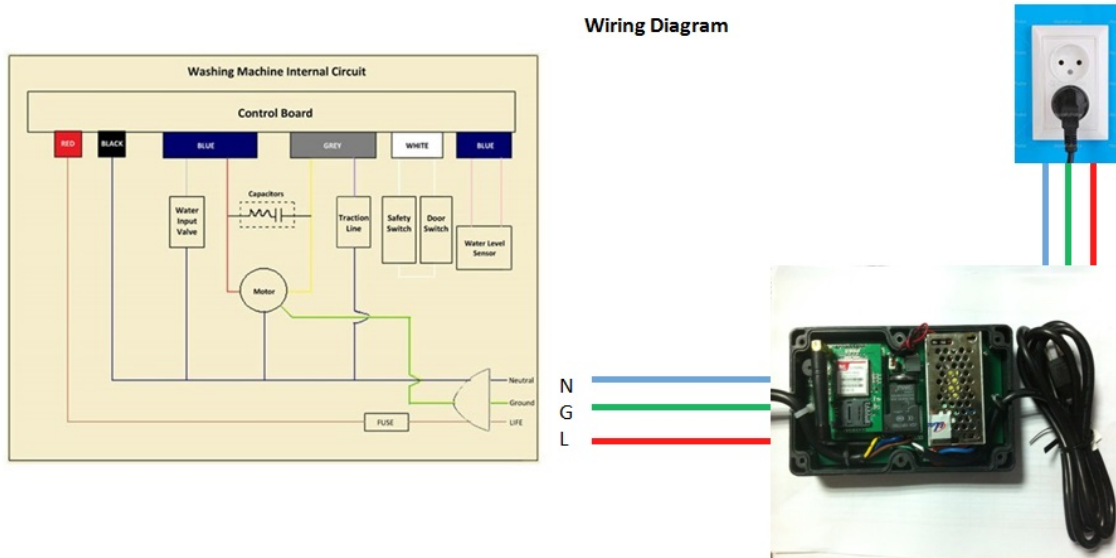
Connect the cable to terminals 220V & N ensuring positive is connected to terminal 200V, switch on the power supply , the red power LED will light indicating power is present, the blue network LED indicator will initially flash quickly, once logged onto the network , it will flash more slowly approximately one every 3 -4 seconds

It is recommended that the GSM Remote Control Switch be programmed to operate as required before final installation.

Connection Details

If you are unsure how to connect the device you wish to control refer to a qualified person

Example Connections For Washing Machines



Example Connection for the Electrical Appliances and Electrical Products



Production Specifications

Operation Voltage	12 volts DC
Operating Current	Maximum 500mA, typically 55mA
Relay Contacts	1 x Normally Open and Normally Closed Contacts maximum switching capacity 20 amps @230v ac per relay
GSM Frequency MHz	GSM 850, GSM 900, GSM 1800, GSM 1900
Humidity	Less Than 80% RH
Operating Temperature	-20c to 55c
Physical Size	130 x 100 x 50mm
Protection	IP 65 Weather Proof Casing
Approvals	C.E, FCC, ETSI

Preparing the SIM card

All new SIM cards have to be registered with the network provider before they can be used, usually by calling the network provider or registering on their website please refer to the instructions supplied with your SIM card.

During the registration procedure a confirmation code or text message is usually sent to the SIM cards telephone number, to be able to read and react to the message you will need to insert the SIM card into an unlocked mobile phone.

After successfully registering the SIM card, ensure there is sufficient credit on the card for programming confirmation texts to be sent from the GSM Remote Control Switch.

You MUST ensure that the PIN request is disabled from the SIM card before inserting it into the GSM Remote Control Switch. If you do not disable the PIN request the GSM Remote Control Switch will not work. If the PIN request is not disabled and the unit is switched on more than 3 times you will have to reset the PIN using the PUK code which will have to be obtained from the service provider.

To check the PIN request status of your SIM card, place the card in an unlocked mobile phone, switch the phone on. If you are able to make calls without entering a PIN number the PIN request is disabled. If a PIN number is requested refer to the instructions supplied with the SIM card and then look through the phones options for the 'disable PIN request' and disable it.

You MUST disable any voicemail that is set up on the SIM card; the codes shown below are for UK networks only, please refer to your network operator if outside the UK

Vodafone: 1210 >Send - you will hear 'order is accepted and confirmed'

O2 - Call 1760 >Send - you will hear 'order is accepted and confirmed'

T-Mobile - Call 222 and follow instructions

Orange - Call 450 and follow instructions

The SIM card is now ready to use

We recommend that if you are using a 'pay as you go' (PAYG) SIM card that you choose to automatically 'Top-Up' when the cards credit falls below a certain limit please contact your network provider or visit their website for more details.

Most but not a using post-paid SIM cards will be de-activated by the network if not used to make an outgoing voice call or send an SMS text message within a specific period. To prevent this simply send the GSM Remote Control Switch a text command *0*PW#, then *2*, it will reply by text message, do this once a month to keep the SIM card active.

Troubleshooting

1. Red power LED not alight	Ensure that your DC power supply is connected correctly, positive (+) to terminal 220v and negative (-) to terminal N. Verify 12 volts is present using a volt meter
2. Blue network LED flashing every one second and not every 3 seconds	Ensure your SIM card has been activated and that the PIN request has been disabled. If the unit is in a low signal strength area consider using an external GSM antenna or changing to another network provider
3. I am not receiving confirmation test messages when program the administrators number	Ensure your telephone number is in the Administrator list and that sending text messages to your number is enabled.
4. I am not receiving any text messages when initially programming the unit	Ensure the unit is connected to the GSM network by observing the blue network LED; it should be flashing once every 3 seconds (see 2 above). Ensure the SIM card has credit
5. The unit has been working for several months and has now stopped responding to calls and text commands	Most but not all PAY SIM cards will be de-activated by the network if not used to make an outgoing voice call or send an SMS text message within a specific period. To prevent this simply send a txt command *0*pw#, then *2*, it will reply by text message, do this once a month to keep the SIM card active
6. When I call the unit to set administrator, I do not receive a confirmation text message.	Reset the unit to Factory Default and try again. Sent *1672* commands to the unit.

Warranty

Witura Technology Sdn Bhd warrants the WT-1673C GSM Remote Control Switch against defective parts and workmanship. Witura Technology Sdn Bhd shall, at its option, repair or replace the defective equipment upon the return of such equipment to any Witura branch. This warranty applies ONLY to defects in components and workman-ship and NOT to damage due to causes beyond the control of Witura, such as incorrect voltage, lightning damage, mechanical shock, water damage, fire damage, or damage arising out of abuse and improper application of the equipment.

Note: Wherever possible, return only the PCB to Witura Service Centres.

DO NOT return the enclosure.

The WT-1673 is a product of

Witura Technology Sdn Bhd

And is manufactured by

Shenzhen Witura Telecommunications Co., Ltd.

WARNING

For safety reasons, only connect equipment with a telecommunications compliance label. This includes customer equipment previously labelled permitted or certified.