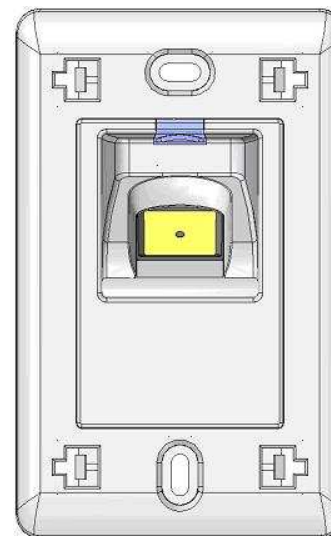

Installation & Wiring Guide

Flush Mount Door Lock

FMD10 V1.0



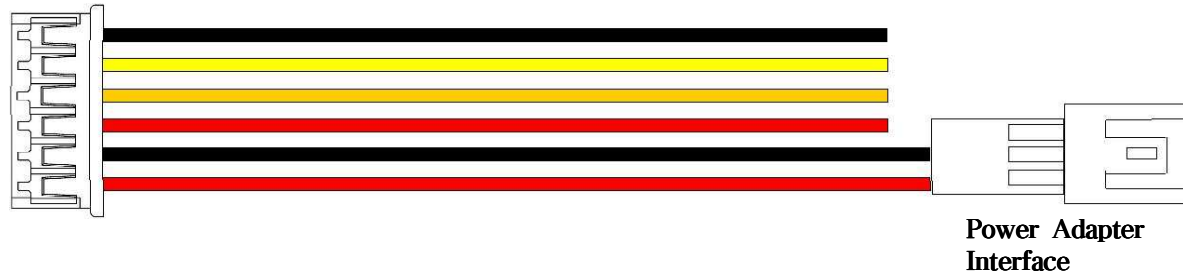
Doc. Ver. : V0.01

Jun., 23, 2014

R&D Center

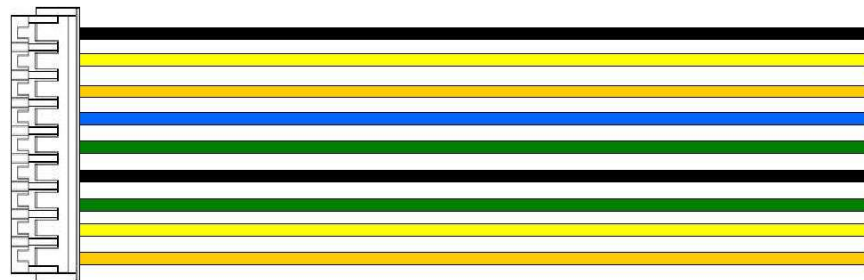
Union Community Co., Ltd.

1. Cable Descriptions



2mm Pitch 6pin Power Interface Cable

- 6. BK : Ground
- 5. YE : Lock Normal Open
- 4. OR : Lock Normal Close
- 3. RE : Lock Com
- 2. BK : Power Input Ground
- 1. RE : Power Input DC12V



1.5mm Pitch 9pin Signal Interface Cable

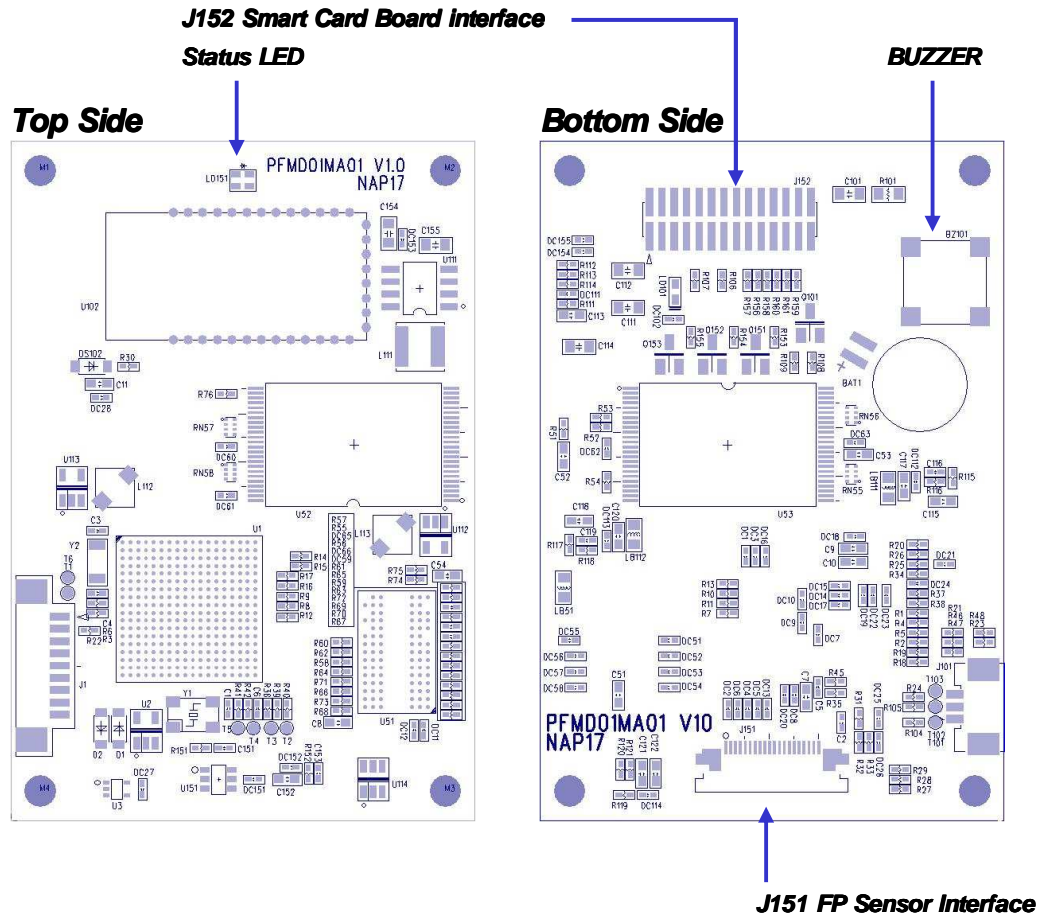
- 9. BK : Ground
- 8. YE : Wiegand Out1
- 7. OR : Wiegand Out0
- 6. BL : RS485 B
- 5. GR : RS485 A
- 4. BK : Ground
- 3. GR : Door Monitor 1
- 2. YE : Door Monitor 0
- 1. OR : Inside Open



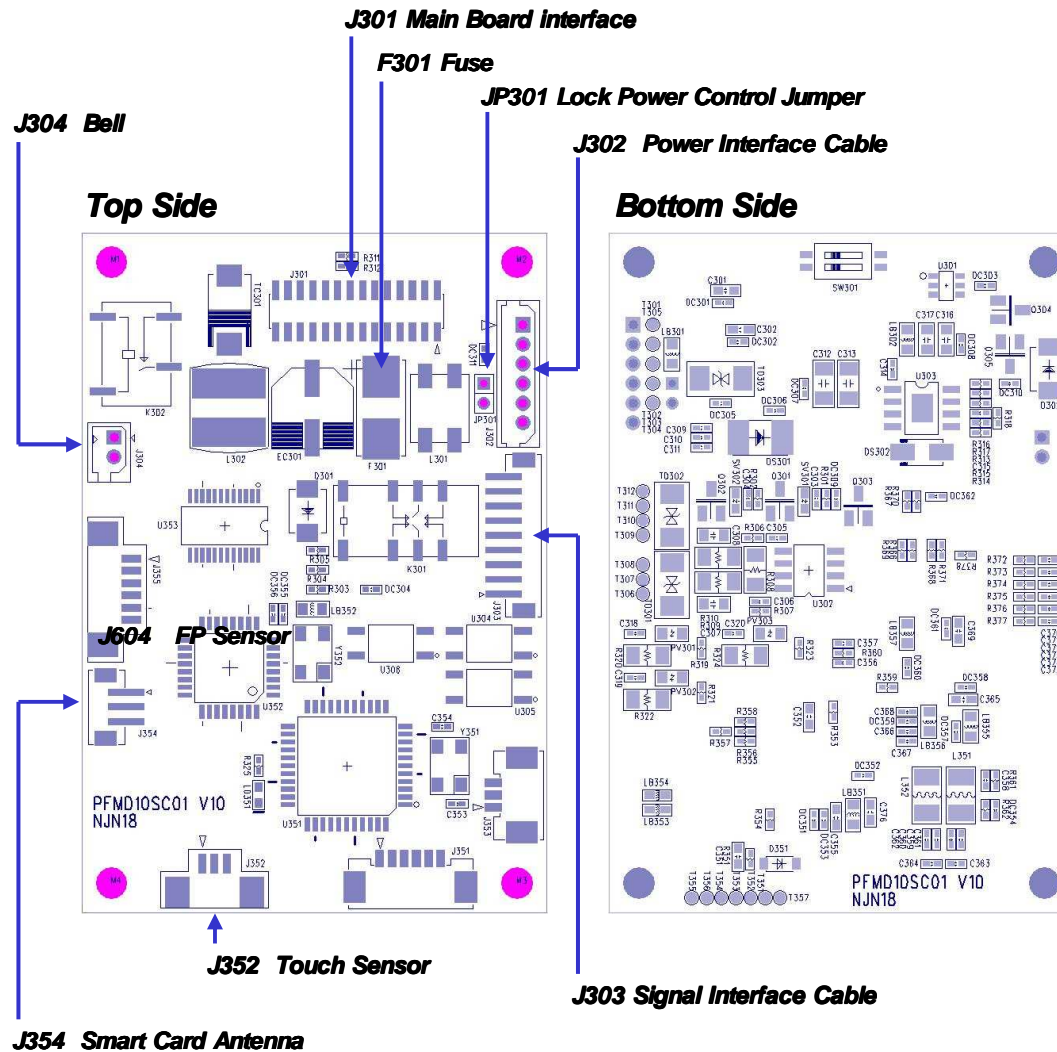
2mm Pitch 2pin Bell Interface Cable

- 2. BK : Bell Switch B
- 1. RE : Bell Switch A

2. Main Board Feature



3. Smart Card Board Feature



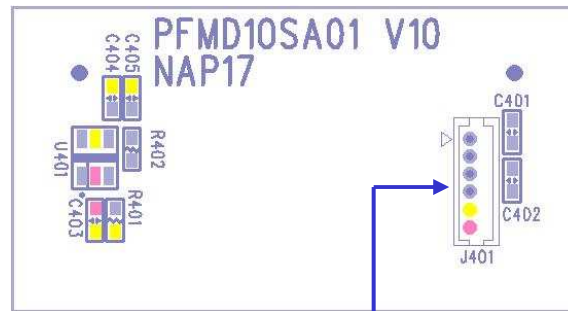
- J302** Power Interface Cable
- 1 [RE] : Power Input DC12V
 - 2 [BK] : Power Input Ground
 - 3 [RE] : Lock Common
 - 4 [OR] : Lock Normal Close
 - 5 [YE] : Lock Normal Open
 - 6 [BK] : Lock Ground

- J303** Signal Interface Cable
- 1 [OR] : Inside Open
 - 2 [YE] : Door Monitor 0
 - 3 [GR] : Door Monitor 1
 - 4 [BK] : Input Signal Ground
 - 5 [GR] : RS485 A
 - 6 [BL] : RS485 B
 - 7 [OR] : Wiegand Out 0
 - 8 [YE] : Wiegand Out 1
 - 9 [BK] : Signal Ground

- J304** Bell Interface Cable
- 1 [RE] : Bell Switch out A
 - 2 [BK] : Bell Switch out B

4. Smart Card Antenna Board Feature

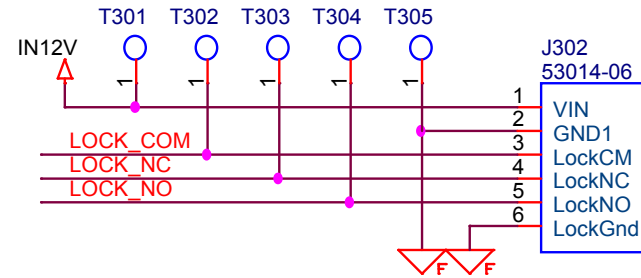
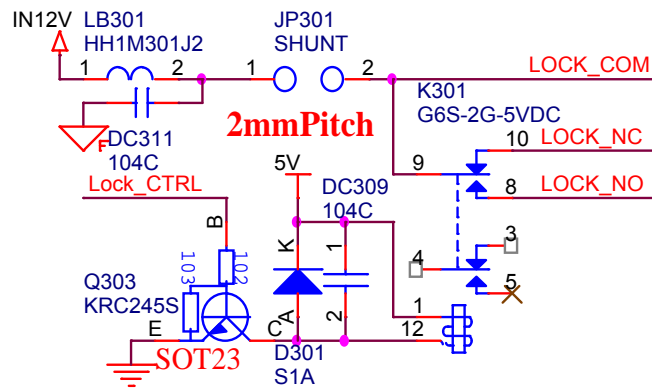
Bottom Side



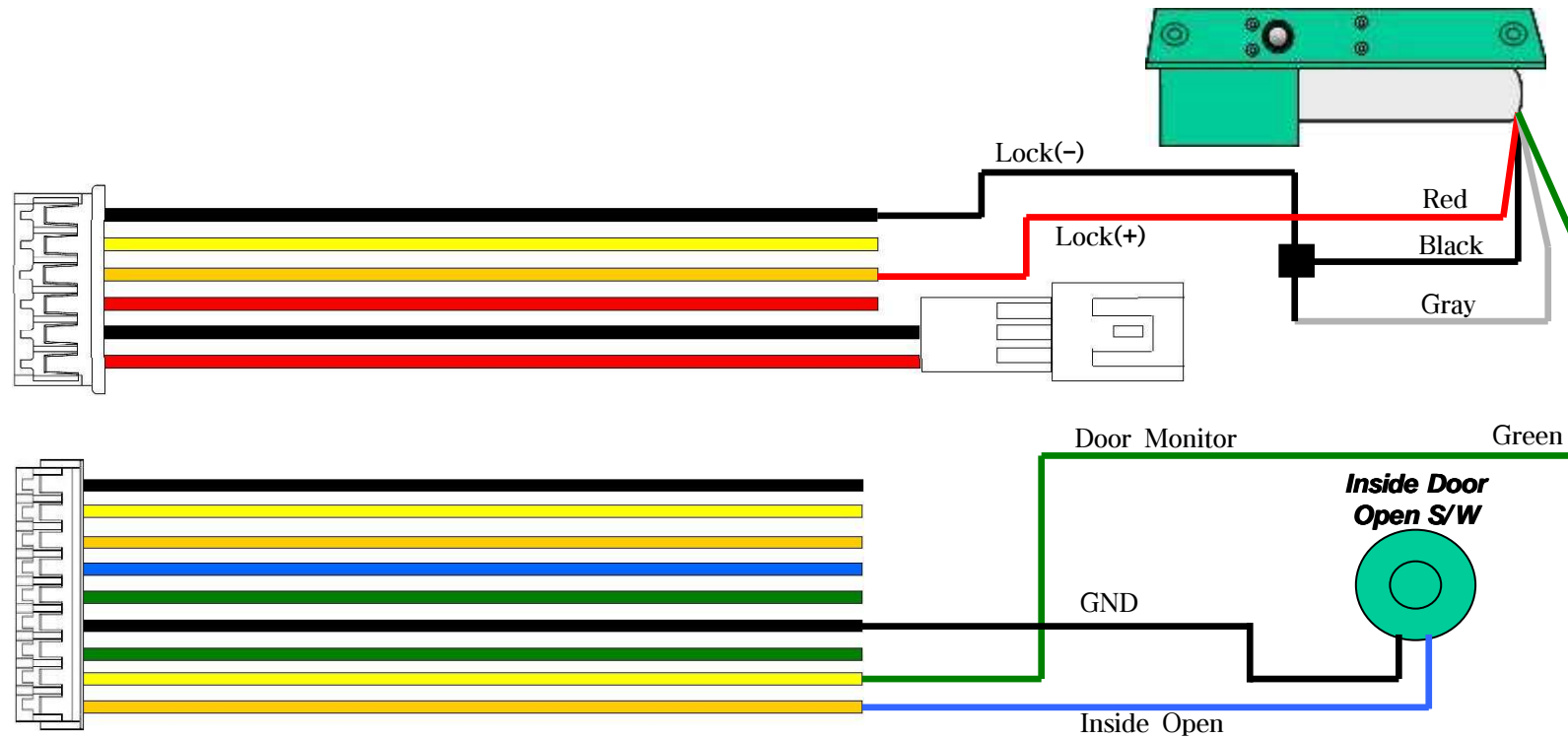
J401 Smart Card Antenna Interface Cable

5. Schematic for Door Lock Interface

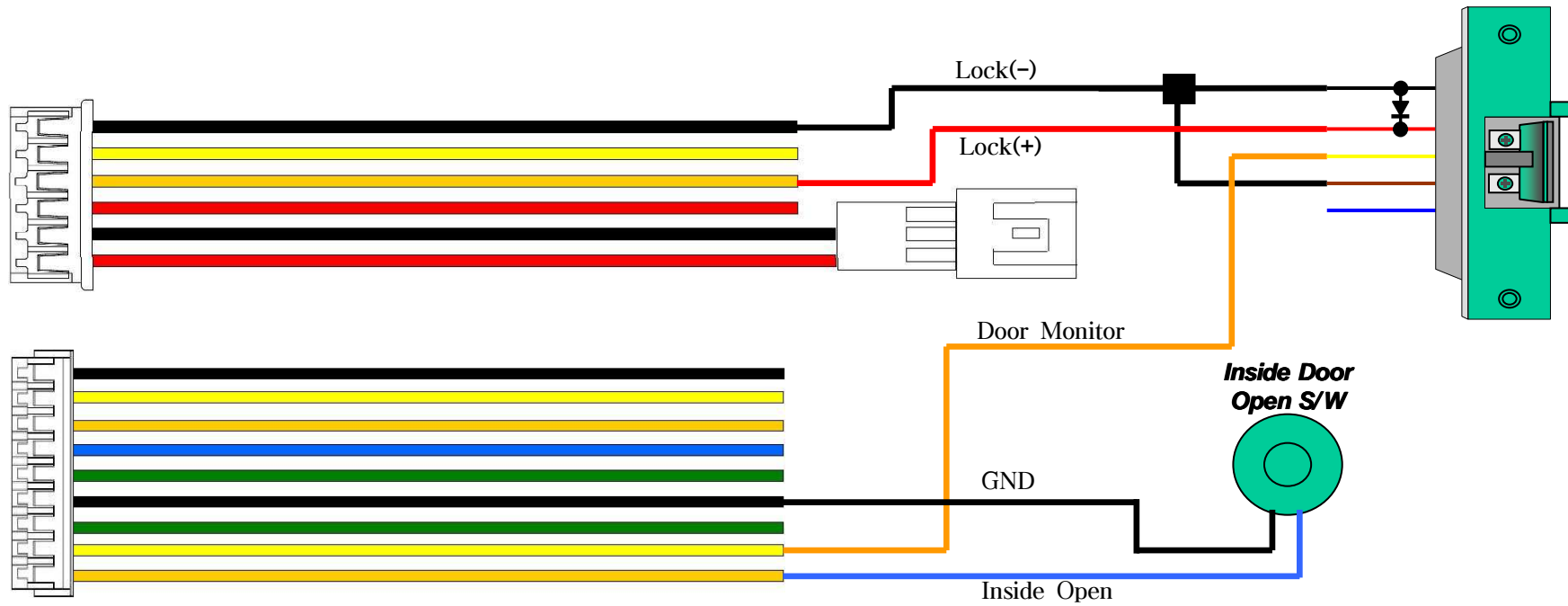
Door Lock Interface



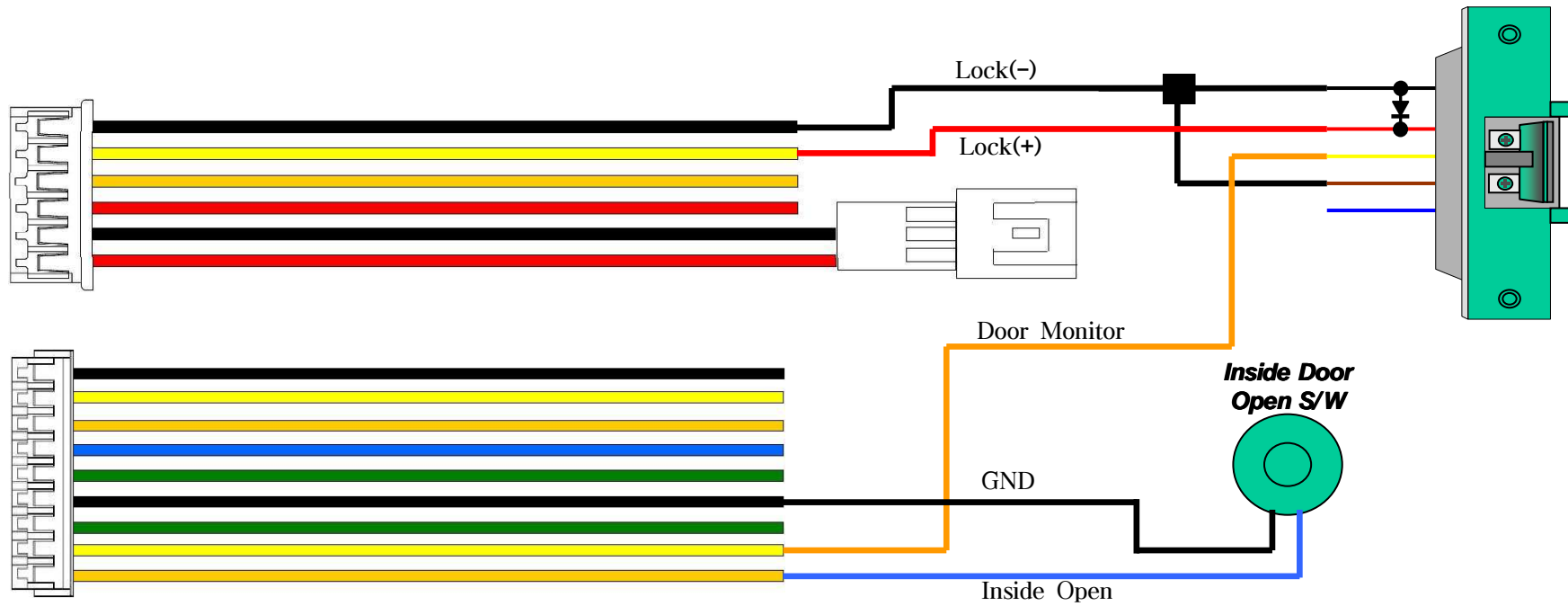
6. Connecting Dead-Bolt Type Door Lock (Fail Safe)



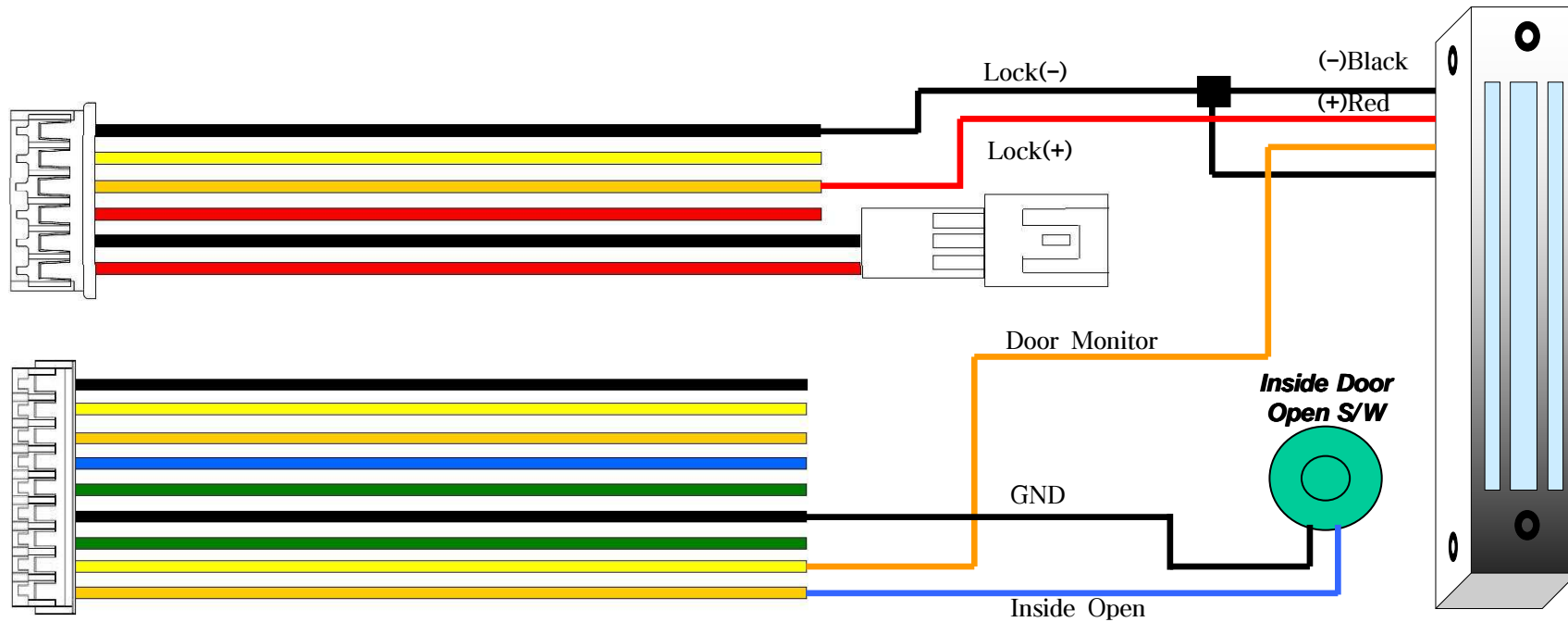
7. Connecting Strike Type Door Lock (Fail Safe)



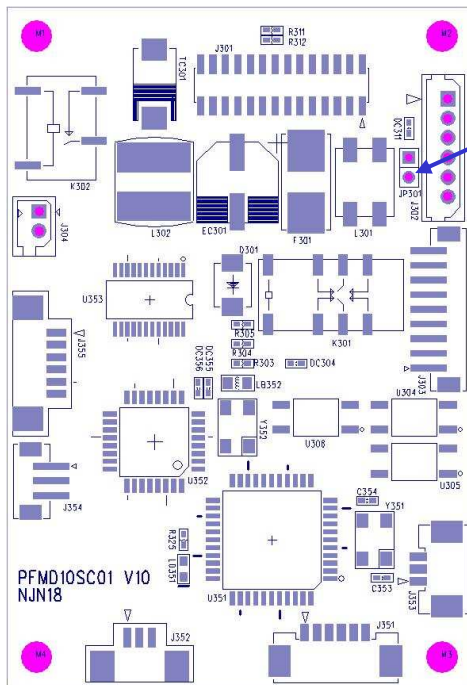
8. Connecting Strike Type Door Lock (Fail Secure)



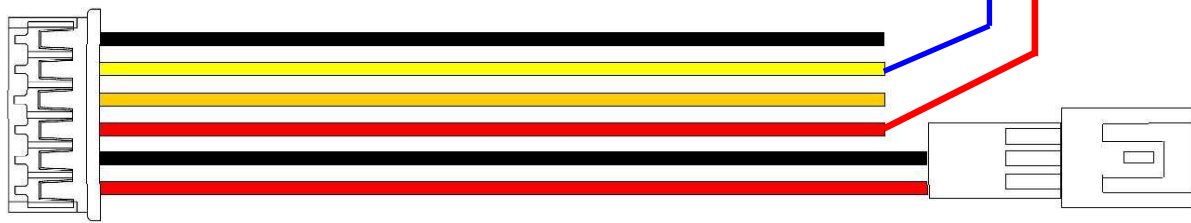
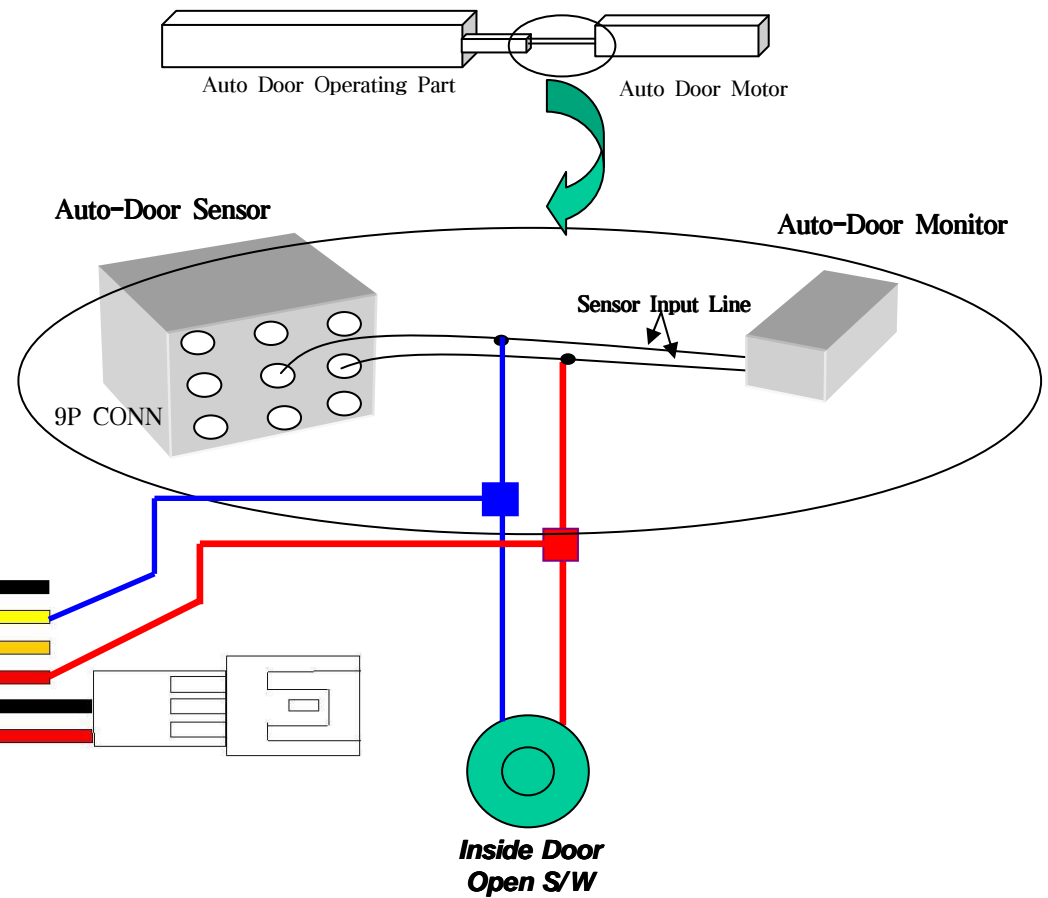
9. Connecting EM Type Door Lock (Fail Safe)



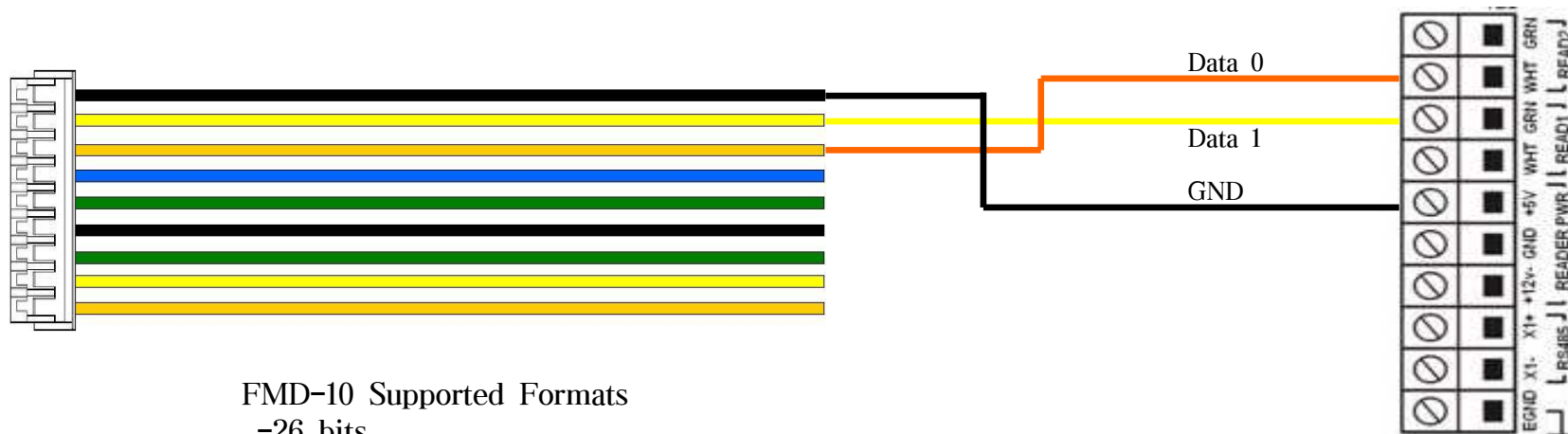
10. Connecting Auto-Door (Contact Control)



JP301 Remove Shunt



11. Connecting Wiegand Output to External Controller



FMD-10 Supported Formats

-26 bits

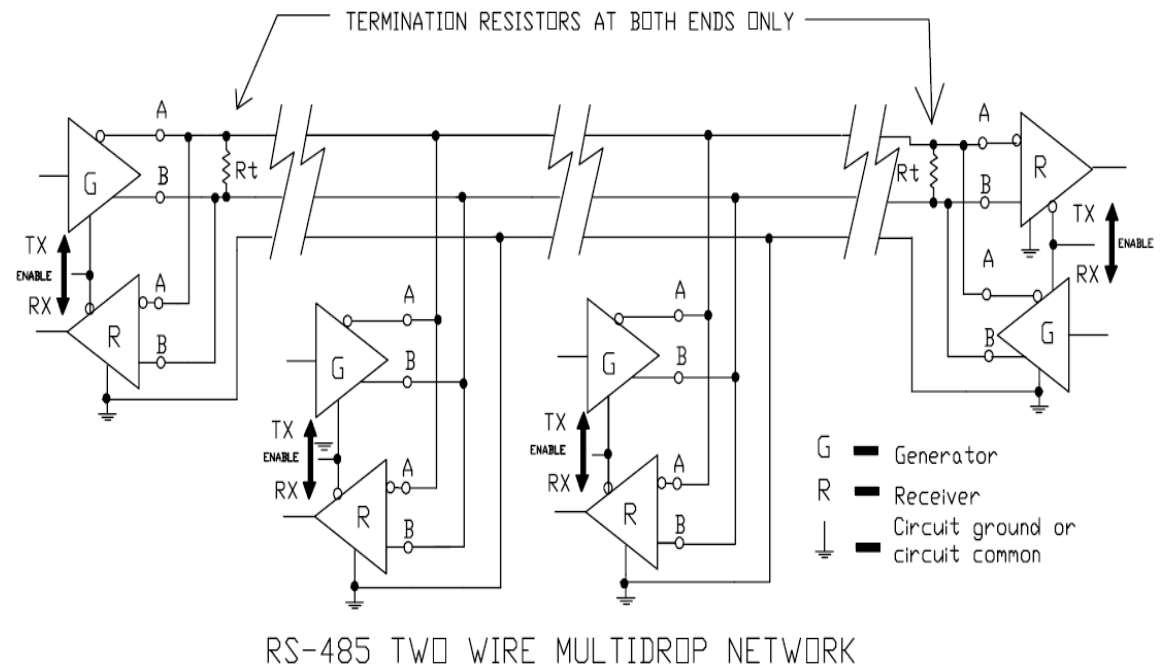
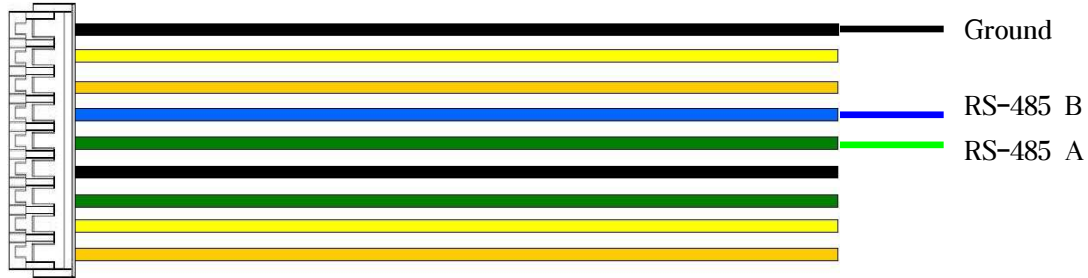
-34 bits

(Site Code + User ID) = User Card number for controller

External Access Controller Input

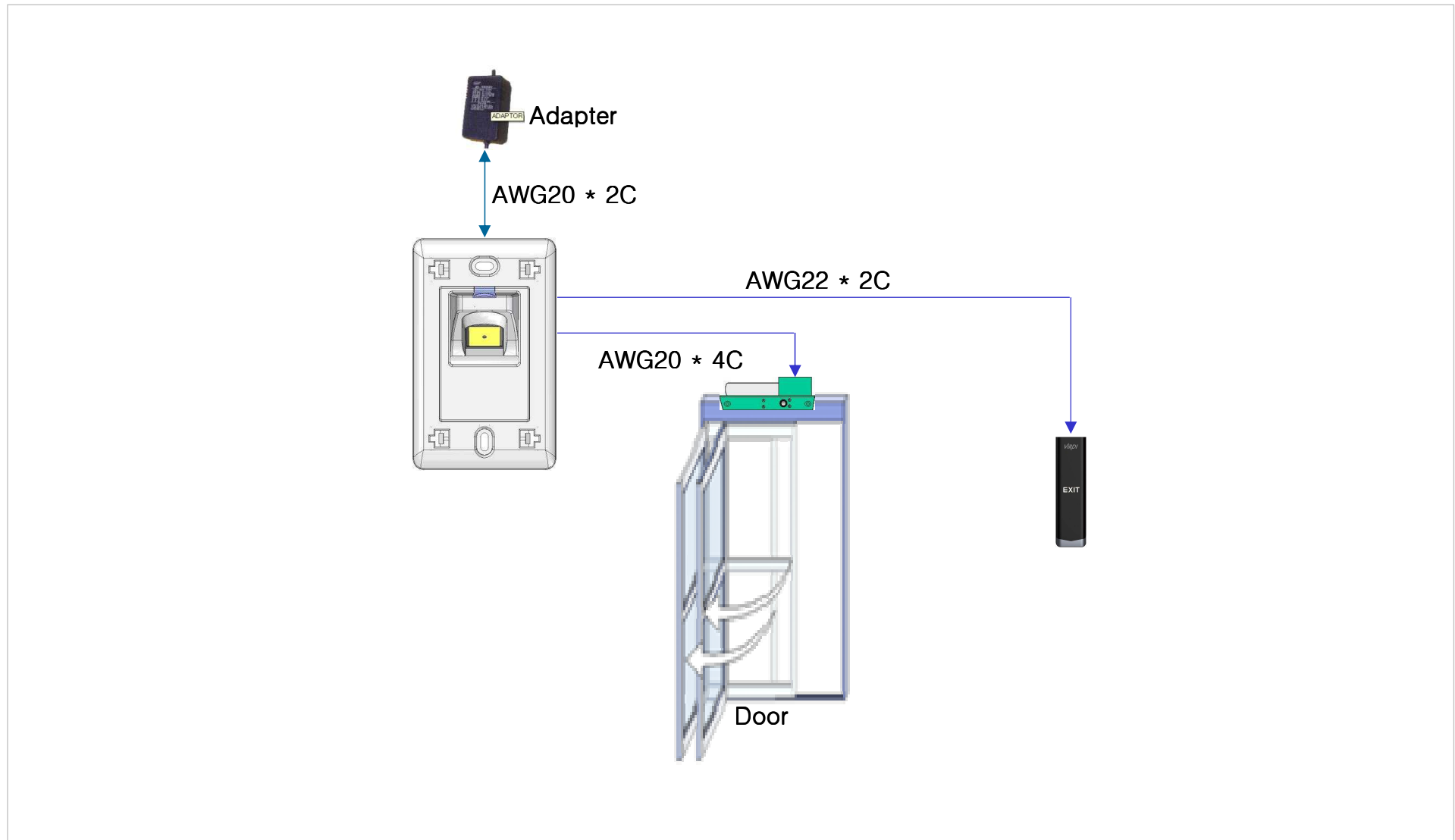
12. Appendix

12.1 RS-485 Interface



13. Wiring Guide

13.1 Terminal & Exit Button



13. Wiring Guide

13.2 Terminal & Exit Button w/Lock Controller

