

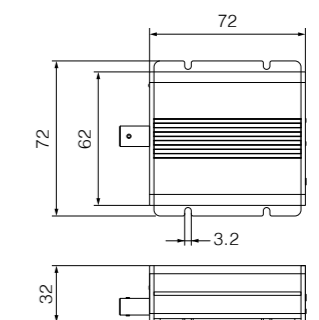
EV3151

VIDEO ENCODER

SPECIFICATIONS

| Model | EV3151A R3 | EV3151A | EV3151 |
|-------------------------------|---|---|---|
| Video Input | BNC, 1.0 Vp-p with 75 Ω Loading | | BNC, 1.0 Vp-p with 75 Ω Loading |
| Video Compression | Motion JPEG, MPEG-4, H.264 High Profile | | Motion JPEG, MPEG-4, H.264 |
| H.264/MJPEG | 30fps: 720 x 480 (NTSC) 25fps: 720 x 576 (PAL) | | 30fps: 720 x 480 (NTSC) 25fps: 720 x 576 (PAL) |
| MPEG4 | 30fps: 720 x 480 (NTSC) 25fps: 720 x 576 (PAL) | | 30fps: 720 x 480 (NTSC) 25fps: 720 x 576 (PAL) |
| Video Streaming | Simultaneous Dual Streams Controllable Framerate and Bandwidth CBR/VBR | | Simultaneous Dual Streams Controllable Framerate and Bandwidth CBR/VBR |
| Video Output | N/A | | N/A |
| Image Setting | Compression, Brightness, Contrast, Saturation | | Compression, Brightness, Contrast, Saturation |
| Audio Compression | G.711, G.726, AAC | ADPCM, AMR | ADPCM, AMR |
| Audio Input | Line In x 1 | | N/A |
| Audio Output | Line Out x 1 | | N/A |
| Security | Password Protection, IP Address Filtering, User Access Privilege | | Password Protection, IP Address Filtering, User Access Privilege |
| Network Protocols | TCP/IP, UDP, DHCP, PPPoE, HTTP, HTTPS, DNS, DynDNS, NTP, FTP, SMTP, RTP, RTSP, RTCP, 3GPP, UPnP, IPv4, SAMBA Client (NAS), IGMP, ICMP, ARP | TCP/IP, UDP, DHCP, PPPoE, HTTP, DNS, DynDNS, NTP, FTP, SMTP, RTP, RTSP, 3GPP, UPnP, IPv4, SAMBA Client(NAS) | TCP/IP, UDP, DHCP, PPPoE, HTTP, DNS, DynDNS, NTP, FTP, SMTP, RTP, RTSP, 3GPP, UPnP, IPv4, SAMBA Client(NAS) |
| Intelligent Video | Video Motion Detection | | Video Motion Detection |
| Alarm Trigger | Periodic Timer, Intelligent Video and External Digital Input | | Periodic Timer and Intelligent Video |
| Alarm Event | Intelligent Video, File Upload via FTP and E-mail, E-mail Notification with Snapshot Attachment, External Output Activation, File Recording to Remote FTP or Remote NAS | | Intelligent Video, File Upload via FTP and E-mail, E-mail Notification with Snapshot Attachment, File Recording to Remote FTP or Remote NAS |
| Web Browser | Microsoft IE, Mozilla Firefox, Google Chrome | Microsoft IE | Microsoft IE |
| Local Storage | N/A | | N/A |
| RS485 Protocol Support | PelcoP, PelcoD, DynaColor, Merit_Lilin, Visca, Transparent | | PelcoP, PelcoD, DynaColor, Merit_Lilin, Visca, Transparent |
| Casing | Metal (Aluminum) | | Metal (Aluminum) |
| Dimension | 72 (W) x 32 (H) x 72 (D) mm | | 72 (W) x 32 (H) x 72 (D) mm |
| Weight | 158 g | | 152 g |
| Power | Max. 2.8 W, 12 Vdc | | Max. 2.8 W, 12 Vdc |
| I/O Connectors | <ol style="list-style-type: none"> RJ-45 Female Type 10BASE-T/100BASE-TX DC Jack Reset Alarm In/Out (MiniDIN) RS-485 (MiniDIN) Video In (BNC) Audio In/Out USB A-Type for External Wi-Fi Dongle | | <ol style="list-style-type: none"> RJ-45 Female Type 10BASE-T/100BASE-TX DC Jack Reset RS-485 Video In (BNC) |
| Failover | Reset | | Reset |
| Operating Conditions | -10°C~50°C (14°F~122°F) Humidity: 20%~80% RH | | -10°C~50°C (14°F~122°F) Humidity: 20%~80% RH |
| Wireless Support | Yes, Support External 802.11n USB WiFi Dongle | Yes, Support External 802.11b/g USB WiFi Dongle | N/A |
| Included Accessories | QIG, MiniDIN Cable | | QIG |
| Approvals | CE, FCC, RoHS | | CE, FCC, RoHS |

DIMENSIONS (Unit:mm)



ACCESSORY (Rack Mount Kit)

| | |
|-----------------------|-------------------------------|
| Model | AC-RMK61 |
| Dimension | 482 (W) x 45 (H) x 165 (D) mm |
| Applied Models | EV3151 Series EV5131 |

