

DGM5937SVAT



5MP



H.265



Starlight



PoE



WDR



Human / Vehicle
Detection



20X Optical
Zoom



PTZ



Auto Tracking



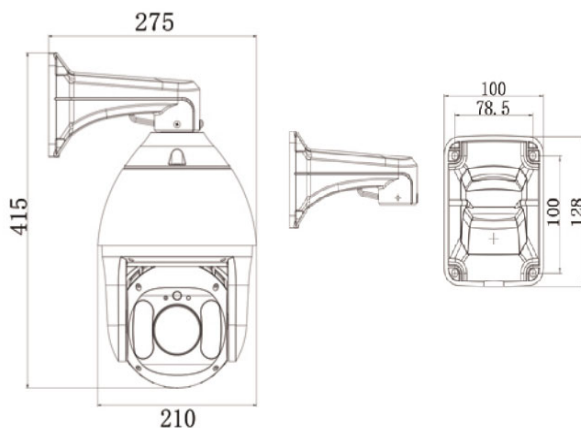
MIC built-in

AI-based 5MP H.265 20X Speed Dome IP Camera

FEATURES

- **Starlight visibility** to offer clear & color images even at night
- Zoom lens of f4.7 ~ f94mm with **20X optical zoom**, suitable for various monitoring environments
- **AI-based human / vehicle detection** supported to avoid false detection alarms
- **PTZ control** and **auto tracking** for seamless monitoring:
- **ONVIF** standard supported to simplify system integration
- **POE (Power-over-Ethernet)** support to eliminate the use of power cables and reduce installation costs
- **Microphone built-in** for audio recording and **line out support** for audio broadcasting
- IR effective range **up to 120 meters** for night surveillance
- **WDR** to increase image recognizability in overexposure and dark areas
- **Remote Surveillance Compatible** with **Internet Explorer 6** and above, **Microsoft Edge** & **Google Chrome**

DIMENSIONS



Dimensional tolerance: ± 5mm

○ SPECIFICATIONS

■ Device

| | |
|-----------------------|---|
| Image Sensor | 1/2.8" SONY CMOS |
| Max. Resolution | 2560 x 1944 |
| Lens | f4.7 ~ 94mm / F1.6 - F3.5 |
| Viewing Angle | Tele 2.9° ~ Wide 64° (Diagonal) |
| Min Illumination | 0.001 Lux (IR LED off), 0 Lux (IR LED on) |
| Shutter Speed | AUTO, 1/25s ~ 1/100000s |
| IR LED | 8 units |
| IR Effective Distance | Up to 120 meters |
| Day / Night | YES |
| WDR Mode | YES (120dB) |
| RTC (real-time clock) | YES |

■ Video

| | | |
|--------------------------|--|--|
| Compression | H265 / H.264 | |
| Video Resolution | Main Stream | 5MP (2592x1944) / 4MP (2560x1440) / 3MP (2304x1296) / 2MP (1080P) / 720P |
| | Sub Stream | D1 / VGA / 640x360 / 480x360 / CIF |
| Frame Rate | 5MP @ 25FPS | |
| Video Profile | High profile / Main profile / Base profile | |
| Multiple Video Streaming | 2 streams | |
| Bitrate Control | 512Kbps - 12Mbps · VBR/CBR | |
| Image Enhancement | WDR / BLC / HLC / 2D DNR / 3D DNR / AWB / MWB / AGC | |
| Day / Night Switch | Auto / Color / (B/W) / Timing | |
| Forced Anti-flicker | YES | |
| Defog | YES | |
| White Balance | Auto / Manual | |
| Image Orientation | Rotate / Mirror | |
| Privacy Mask | YES | |
| Text Overlay | YES | |
| OSD Title | Location / font size / text configurable; text input (English & Chinese characters) and image upload (BMP) supported | |

■ Audio

| | |
|---------------------|-------------------|
| Microphone built-in | YES |
| Line out | YES |
| Encoding | G.711-u / G.711-a |
| Audio Adjustment | YES |

■ Alarm & Event

| | |
|-----------------------|---|
| Detection Mode | Motion / Human / Vehicle Detection |
| Detection Schedule | YES |
| Motion Detection Area | 1x1, 2x2, 3x2, 3x3, 4x3, 4x4, 8x8, 16x16, 22x18 |
| Detection Alert | Audio alert with customized mp3 audio file(s) |

.*The specifications are subject to change without notice.

● SPECIFICATIONS (CONTINUED)

■ Network

| | |
|------------------------|---|
| LAN Port | RJ45 connector x 1 / 4KV lightning-proof |
| LAN Speed | 100Mbps Based-T Ethernet |
| Supported Protocols | HTTP / RTSP / FTP / SMTP / DHCP / NTP / NFS / RTMP |
| ONVIF Compatible | Onvif 17.06 compatible |
| Number of Online Users | 6 |
| Remote Access | Internet Explorer 6 and above (recommended), Microsoft Edge & Google Chrome |

■ PTZ Mechanism

| | |
|-------------------|-------------------------------------|
| Pan Range | 360° continuous rotation |
| Pan Speed | 0.5° ~ 60° |
| Tilt Range | -15° ~ 90°/s |
| Zoom Ratio | 20X Optical Zoom |
| Proportional Zoom | YES |
| Preset Points | Up to 255 preset points |
| PTZ Mode | Auto Tracking / Cruising / Auto Pan |

■ General

| | |
|-----------------------------------|--|
| Web Interface Language | English, Traditional Chinese, Simplified Chinese, Russian, German, Italian, Turkish, Korean |
| Operating Temperature | -30°C ~ 60°C |
| Operating Humidity | 10% ~ 90%RH |
| POE | IEEE 802.3at |
| Power Source (±10%) | PoE / DC12V |
| Power Consumption (±10%) | < 20 W |
| Net Weight (kg) | 2.5 |
| Casing | IP66 |
| Minimum Web Browsing Requirements | <ul style="list-style-type: none"> • Intel core i3 or higher, or equivalent AMD • 2GB RAM • AGP graphics card, Direct Draw, 32MB RAM • Windows 10, Windows 8, Windows 7, DirectX 9.0 or later • Internet Explorer 6 and above (recommended), Microsoft Edge & Google Chrome |

*The specifications are subject to change without notice.